

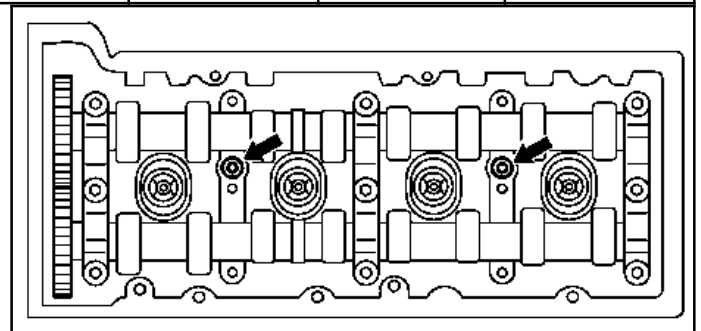
ENGINE 604.910 ## as of 028402 as of 1.9.94,
 604.910 #2 as of 005831 as of 1.9.94,
 605.910 ## as of 017956 as of 1.9.94,
 605.910 #2 as of 007989 as of 1.9.94,
 605.911 ## as of 025350 as of 1.9.94,
 605.911 #2 as of 009336 as of 1.9.94,
 606.910 ## as of 007175 as of 1.9.94,
 606.910 #2 as of 013517 as of 1.9.94,
 604.912, 605.912, 606.912

BT05.20-P-0001-01A	Bolts for attaching camshaft housing to cylinder head discontinued		BT
--------------------	--	--	----

Engine	No.	Engine	except	LHD RHD	Trans mission	Engine end no. as of	Engine end no. up to	Production period (DD.MM.YY) as of	Production period (DD.MM.YY) up to
		604.910			0	028402		09.94	
		604.910			2	005831		09.94	
		605.910			0	017956		09.94	
		605.910			2	007989		09.94	
		605.911			0	025350		09.94	
		605.911			2	009336		09.94	
		606.910			0	007175		09.94	
		606.910			2	013517		09.94	
		604.912							
		605.912							
		606.912							

Engine 604

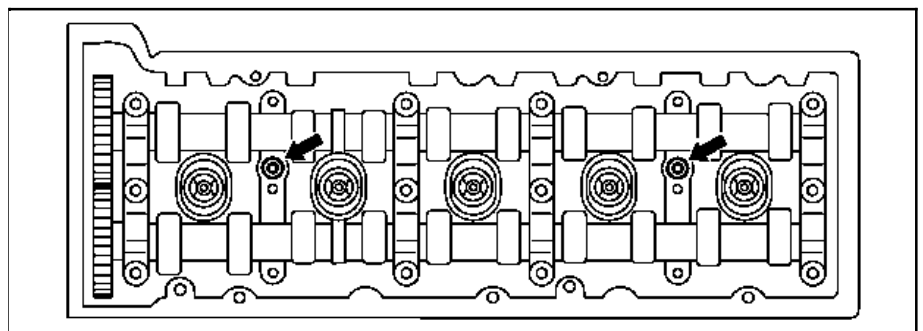
Bolts (arrows) for attaching camshaft housing to cylinder head discontinued.



P05.20-0246-10

Engine 605

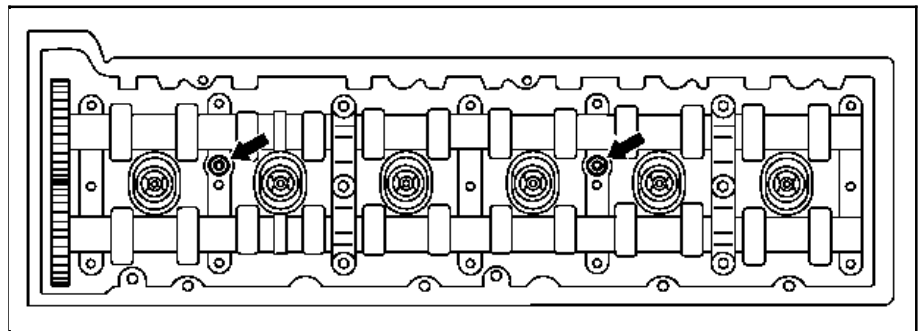
Bolts (arrows) for attaching camshaft housing to cylinder head discontinued.



P05.20-0247-04

Engine 606

Bolts (arrows) for attaching camshaft housing to cylinder head discontinued.



P05.20-0248-04